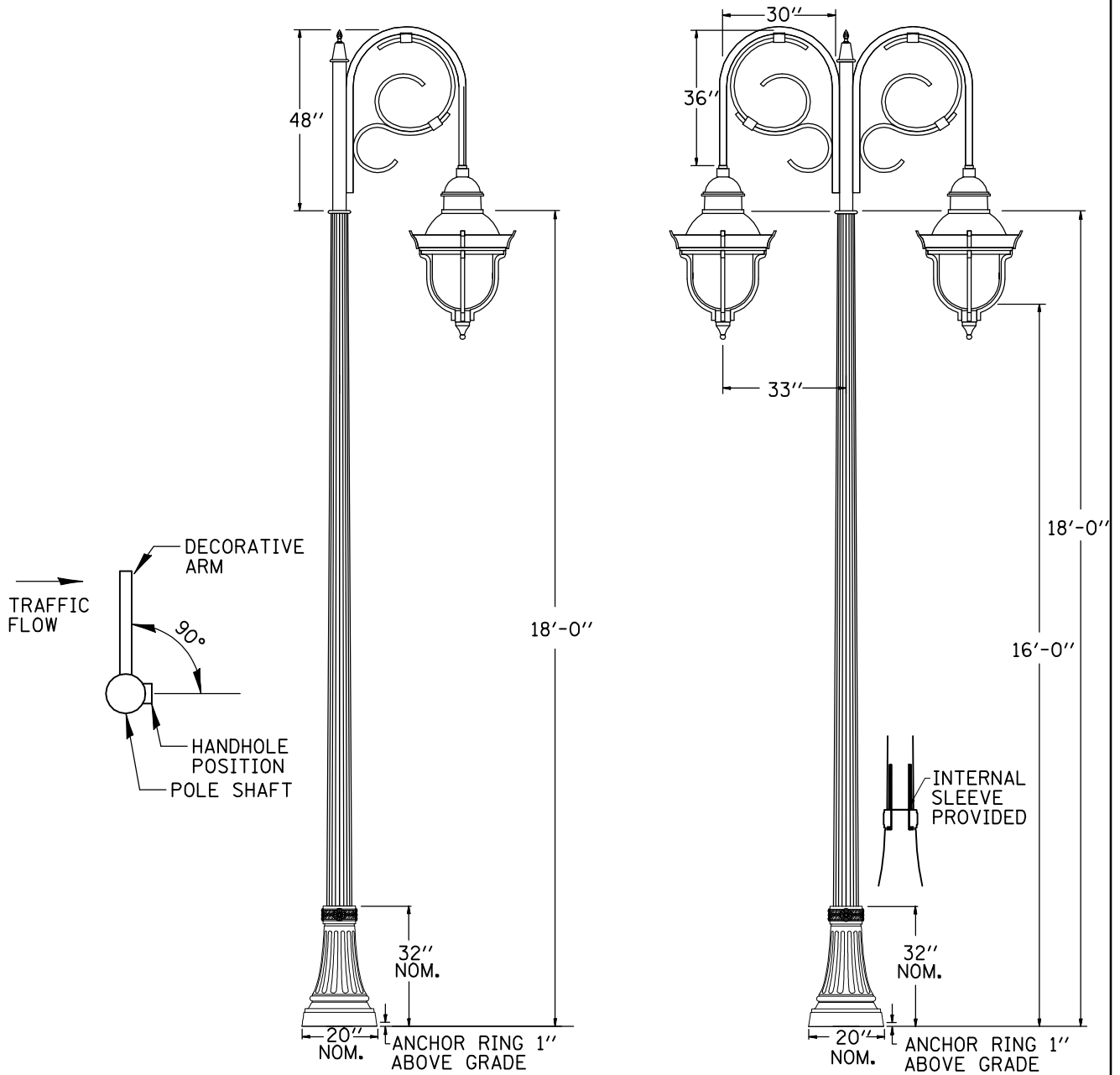


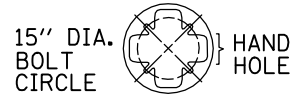
SINGLE ASSEMBLY

TWIN ASSEMBLY



NOTE:

1. LIGHT POLE ASSEMBLY SHALL BE SUN VALLEY DETAIL NO. CS-4092 REV. 9, OR APPROVED EQUAL.
2. DIRECT CONNECTED LIGHT POLES SHALL BE PROVIDED WITH 120V BUTTON-TYPE PHOTOELECTRIC CELL.
3. UPON FINAL ACCEPTANCE OF PUBLIC LIGHTING IMPROVEMENTS BY THE VILLAGE, DEVELOPER/CONTRACTOR SHALL PROVIDE A NON-REFUNDABLE CASH DEPOSIT EQUIVALENT TO 10% OF THE TOTAL CONSTRUCTION COST OF THE LIGHT POLE STANDARDS AND FIXTURES FOR FUTURE VILLAGE LIGHTING MAINTENANCE PURPOSES.
4. SEE SHEET 2 OF 2 FOR SPECIFICATIONS.

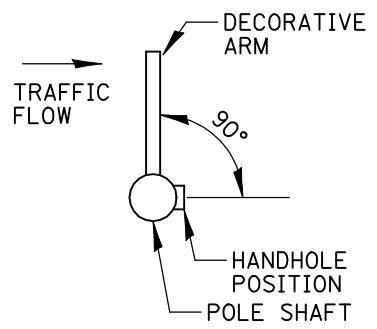
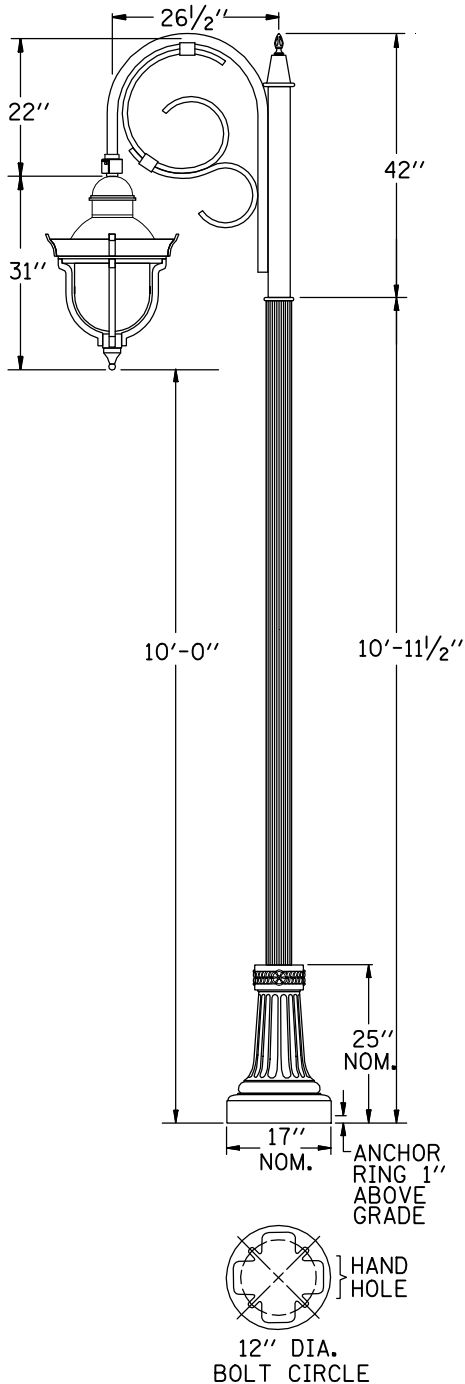


VILLAGE OF SHOREWOOD
 STANDARD DETAIL
 FOR
 ORNAMENTAL TYPE
 LIGHT POLE
 SHEET 1 OF 2
 DATE: MARCH 2009

SPECIFICATIONS:

- LUMINAIRE:** HOUSING AND DOOR FRAME-HEAVY WALL CAST ALUMINUM CONSTRUCTION WITH REMOVABLE BALLAST TRAY FOR EASY BALLAST ACCESS. REFLECTOR-HEAVY WALL ALUMINUM CONSTRUCTION.
- OPTICS:** SEGMENTED REFLECTOR AND CLEAR ACRYLIC DIFFUSER. TWIN ASSEMBLY-TYPE III (ASYMMETRIC) LIGHT DISTRIBUTION. SINGLE ASSEMBLY-TYPE III (ASYMMETRIC) LIGHT DISTRIBUTION.
- LAMP HOLDER:** MOGUL BASE, PORCELAIN.
- LAMP:** 150 W. H.P.S.- PUBLIC STREET
250 W. H.P.S. - COMMERCIAL APPLICATION
- BALLAST:** H.P.F./C.W.A. AUTOTRANSFORMER, -20° STARTING TEMPERATURE. (MULTI-TAP VOLTAGE, WIRED FOR 120V.)
- ARM:** DURABLE CORROSION RESISTANT, CAST, AND EXTRUDED ALUMINUM CONSTRUCTION.
- SHAFT:** 16 FLUTES TAPERED ALUMINUM SHAFT (.188 WALL THICK.) HAS 7" BUTT TAPERING TO 4.5" TOP. SHAFT PROVIDED WITH INTERNAL REINFORCING SLEEVE FOR GREATER STRUCTURAL SUPPORT. SLEEVE AND SHAFT WELDED TO BASE.
- BASE:** ONE PIECE CORROSION RESISTANT, DURABLE CAST ALUMINUM CONSTRUCTION. MINIMUM .210 WALL THICKNESS, BASE CONSISTS OF A SMOOTH, TAPERED BOTTOM SECTION, AND A HIGHLY DETAILED, DECORATIVE FLUTED SECTION, A DECORATIVE CAST ALUMINUM COLLAR AND FLUTED HAND HOLE COVER CONTOURED TO BASE DESIGN. HAND HOLE COVER SUPPLIED WITH TAMPER RESISTANT HARDWARE. GROUNDING LUG PROVIDED INSIDE BASE OPPOSITE HAND HOLE.
- ANCHORAGE:** (4) 1"X36" FULLY GALVANIZED ANCHOR BOLTS. EACH BOLT SUPPLIED WITH TWO NUTS AND TWO WASHERS.
- FINISH:** ELECTROSTATICALLY APPLIED BAKED ON TEXTURED ACRYLIC ENAMEL-HIGH GLOSS (COLOR: BLACK).
- NOTE:** 1. HAND HOLE COVER TO READ "VILLAGE OF SHOREWOOD".
2. POLE ASSEMBLY RATED FOR 90 M.P.H. SUSTAINED WIND LOADS PLUS 1.3 WIND GUST.
3. OPTIONS:
- SPEAKER BRACKET
- BANNER ARMS (ROTATABLE OR FIXED) SPECIFY.
- FLAG HOLDER (ROTATABLE OR FIXED) SPECIFY.
- GFI

VILLAGE OF SHOREWOOD
STANDARD DETAIL
FOR
ORNAMENTAL TYPE
LIGHT POLE
SHEET 2 OF 2
DATE: MARCH 2009



NOTE:

1. LIGHT POLE ASSEMBLY SHALL BE SUN VALLEY DETAIL NO. CS-5198 REV. 1, OR APPROVED EQUAL.
2. DIRECT CONNECTED LIGHT POLES SHALL BE PROVIDED WITH 120V BUTTON-TYPE PHOTOELECTRIC CELL.
3. UPON FINAL ACCEPTANCE OF PUBLIC LIGHTING IMPROVEMENTS BY THE VILLAGE, DEVELOPER/CONTRACTOR SHALL PROVIDE A NON-REFUNDABLE CASH DEPOSIT EQUIVALENT TO 10% OF THE TOTAL CONSTRUCTION COST OF THE LIGHT POLE STANDARDS AND FIXTURES FOR FUTURE VILLAGE LIGHTING MAINTENANCE PURPOSES.
4. SEE SHEET 2 OF 2 FOR SPECIFICATIONS.

VILLAGE OF SHOREWOOD
 STANDARD DETAIL
 FOR
 PEDESTRIAN SCALE (10')
 ORNAMENTAL TYPE
 LIGHT POLE
 SHEET 1 OF 2
 DATE: MARCH 2009

SPECIFICATIONS:

FIXTURE: HOUSING - HEAVY WALL CAST ALUMINUM CONSTRUCTION. LUMINAIRE SUPPLIED WITH AN ALUMINUM HOOD, A DECORATIVE GASKETED HINGED CAGE AND A CAST ALUMINUM FITTER.

OPTICS: PRECISELY DESIGNED UPPER BOROSILICATE PRISMATIC GLASS REFLECTOR REDIRECTS UPWARD LIGHT DOWNWARD TOWARD THE PRECISELY DESIGNED PRISM STRUCTURE OF THE LOWER BOROSILICATE GLASS REFRACTOR TO PROVIDE A TYPE III (ASYMMETRIC) LIGHT DISTRIBUTION.

LAMP HOLDER: MEDIUM BASE PORCELAIN.

LAMP: 70 W. H.P.S.

BALLAST: H.P.F./C.W.A. AUTOTRANSFORMER,-20° STARTING TEMPERATURE. (MULTI-TAP VOLTAGE)

SHAFT: 4" DIA. EXTRUDED FROM 6063 ALLOY ALUMINUM. HEAT TREATED TO PRODUCE A T6 TEMPER. WALL THICKNESS .188 MINIMUM. DECORATIVE SHAFT HAS EVENLY SPACED HIGHLY DETAILED RAISED VERTICAL FLUTES EXTENDING THE ENTIRE LENGTH OF THE SHAFT. SHAFT IS CIRCUMFERENTIALLY WELDED TO BASE.

BASE: ONE PIECE CORROSION RESISTANT, DURABLE CAST ALUMINUM CONSTRUCTION. MINIMUM .210 WALL THICKNESS, BASE CONSISTS OF A SMOOTH, TAPERED BOTTOM SECTION, AND A HIGHLY DETAILED, DECORATIVE FLUTED SECTION, A DECORATIVE CAST ALUMINUM COLLAR AND A FLUTED HAND HOLE COVER CONTOURED TO BASE DESIGN. HAND HOLE COVER SUPPLIED WITH TAMPER RESISITANT HARDWARE. GROUNDING LUG PROVIDED INSIDE BASE OPPOSITE HAND HOLE.

ANCHORAGE: (4) 3/4"X18" FULLY GALVANIZED ANCHOR BOLTS. EACH BOLT SUPPLIED WITH TWO NUTS AND TWO WASHERS.

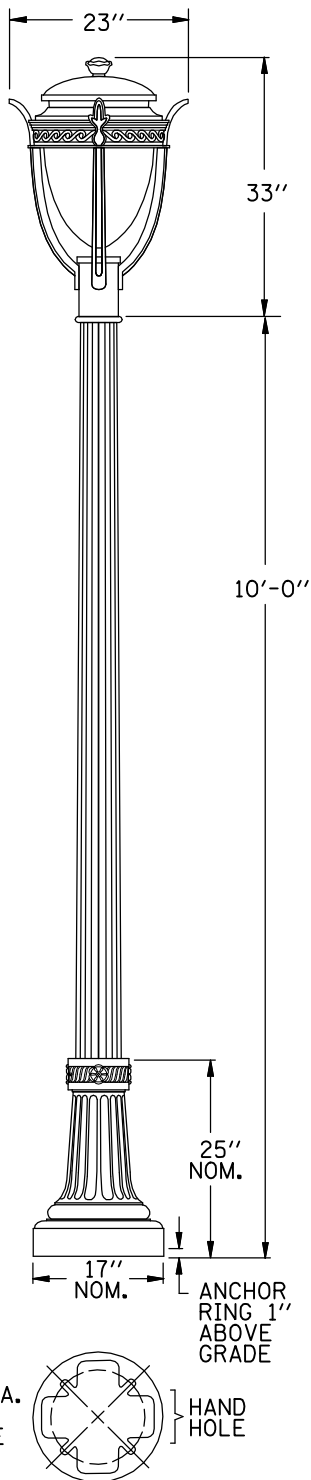
FINISH: POLYESTER POWDER COAT - HIGH GLOSS (COLOR: BLACK)

NOTE: 1. HAND HOLE COVER TO READ "VILLAGE OF SHOREWOOD".
2. POLE ASSEMBLY RATED FOR 90 M.P.H. SUSTAINED WIND LOADS PLUS 1.3 WIND GUST.

3. OPTIONS:

- SPEAKER BRACKET
- BANNER ARMS (ROTATABLE OR FIXED) SPECIFY.
- FLAG HOLDER (ROTATABLE OR FIXED) SPECIFY.
- GFI

VILLAGE OF SHOREWOOD
STANDARD DETAIL
FOR
PEDESTRIAN SCALE (10')
ORNAMENTAL TYPE
LIGHT POLE
SHEET 2 OF 2
DATE: MARCH 2009



NOTE:

1. LIGHT POLE ASSEMBLY SHALL BE SUN VALLEY
DETAIL NO. CS-5201 REV. 1, OR APPROVED EQUAL.
2. DIRECT CONNECTED LIGHT POLES SHALL BE
PROVIDED WITH 120V BUTTON-TYPE
PHOTOELECTRIC CELL.
3. UPON FINAL ACCEPTANCE OF PUBLIC LIGHTING
IMPROVEMENTS BY THE VILLAGE,
DEVELOPER/CONTRACTOR SHALL PROVIDE
A NON-REFUNDABLE CASH DEPOSIT
EQUIVALENT TO 10% OF THE TOTAL
CONSTRUCTION COST OF THE LIGHT POLE
STANDARDS AND FIXTURES FOR FUTURE
VILLAGE LIGHTING MAINTENANCE PURPOSES.
4. SEE SHEET 2 OF 2 FOR SPECIFICATIONS.

VILLAGE OF SHOREWOOD
STANDARD DETAIL
FOR
PEDESTRIAN SCALE
SYMMETRICAL
ORNAMENTAL TYPE
LIGHT POLE
SHEET 1 OF 2
DATE: MARCH 2009

SPECIFICATIONS:

LUMINAIRE: DURABLE CORROSION RESISTANT CAST ALUMINUM. HOUSING TOP HINGES FOR EASY RE-LAMPING. LUMINAIRE SUPPLIED WITH CLEAR ACRYLIC DIFFUSER.

OPTICS: SEGMENTED HORIZONTAL REFLECTOR COMBINES WITH CLEAR ACRYLIC DIFFUSER TO PRODUCE TYPE III (ASYMMETRIC) LIGHT DISTRIBUTION.

LAMP HOLDER: MEDIUM BASE, PORCELAIN.

LAMP: 70 W. H.P.S.

BALLAST: H.P.F./C.W.A. AUTOTRANSFORMER, -20° STARTING TEMPERATURE. (MULTI-TAP VOLTAGE, SPECIFY VOLTAGE)

SHAFT: 16 FLUTES TAPERED ALUMINUM SHAFT (.188 WALL THICK.) HAS 6" BUTT TAPERING TO 4.6" TOP. SHAFT PROVIDED WITH INTERNAL REINFORCING SLEEVE FOR GREATER STRUCTURAL SUPPORT. SLEEVE AND SHAFT WELDED TO BASE.

BASE: ONE PIECE CORROSION RESISTANT, DURABLE CAST ALUMINUM CONSTRUCTION. MINIMUM .210 WALL THICKNESS. BASE CONSISTS OF A SMOOTH, TAPERED BOTTOM SECTION, AND A HIGHLY DETAILED, DECORATIVE FLUTED SECTION, A DECORATIVE CAST ALUMINUM COLLAR AND FLUTED HAND HOLE COVER CONTOURED TO BASE DESIGN. HAND HOLE COVER SUPPLIED WITH TAMPER RESISTANT HARDWARE. GROUNDING LUG PROVIDED INSIDE BASE OPPOSITE HAND HOLE.

ANCHORAGE: (4) 3/4" X 24" FULLY GALVANIZED ANCHOR BOLTS. EACH BOLT SUPPLIED WITH TWO NUTS AND TWO WASHERS.

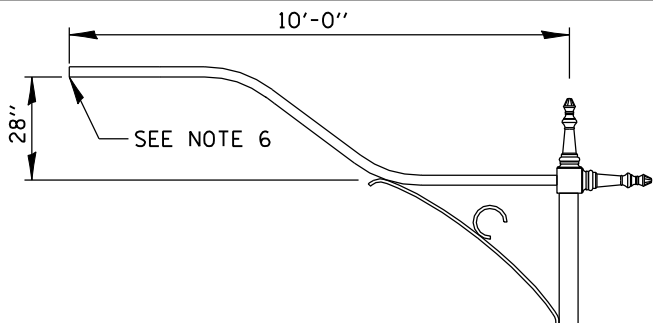
FINISH: POLYESTER POWDER COAT - HIGH GLOSS (COLOR: BLACK)

NOTE: 1. HAND HOLE COVER TO READ "VILLAGE OF SHOREWOOD".
2. POLE ASSEMBLY RATED FOR 90 M.P.H. SUSTAINED WIND LOADS PLUS 1.3 WIND GUST.

3. OPTIONS:

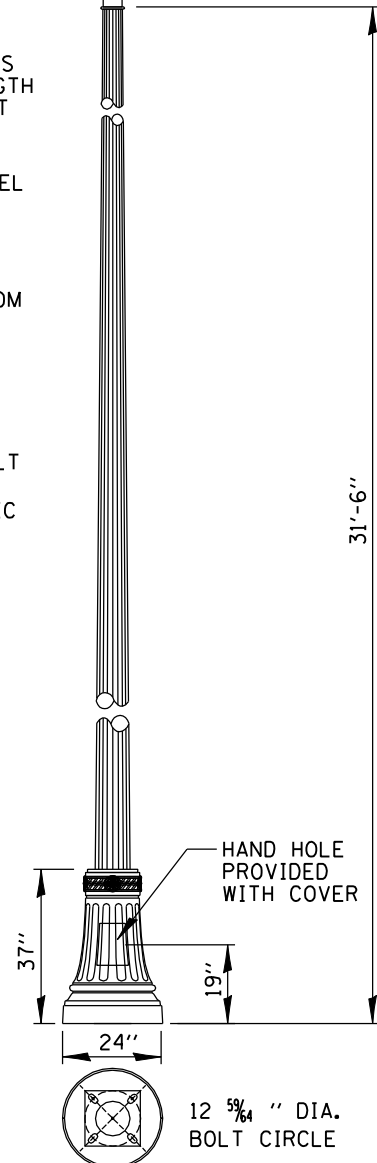
- SPEAKER BRACKET
- BANNER ARMS (ROTATABLE OR FIXED) SPECIFY.
- FLAG HOLDER (ROTATABLE OR FIXED) SPECIFY.
- GFI

VILLAGE OF SHOREWOOD
STANDARD DETAIL
FOR
PEDESTRIAN SCALE
SYMMETRICAL
ORNAMENTAL TYPE
LIGHT POLE
SHEET 2 OF 2
DATE: MARCH 2009



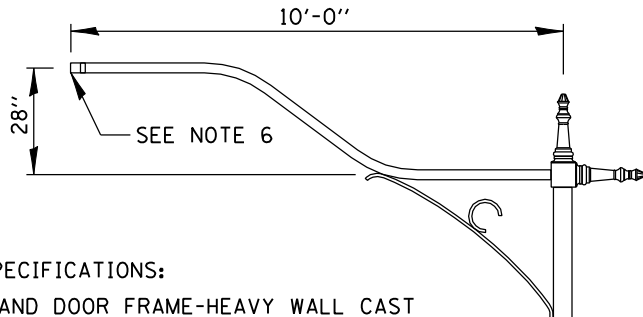
SPECIFICATIONS:

- ARM:** STEEL CONSTRUCTION, 2.375 O.D. (.154 WALL THICK.)
- SHAFT:** 16 FLUTES TAPERED STEEL SHAFT (.188 WALL THICK.) HAS 9" BUTT TAPERING TO 4.6" TOP. MINIMUM YIELD STRENGTH 55,000 P.S.I. HAND HOLE IS PROVIDED WITH COVER. SHAFT PROVIDED WITH 2.5"X5" HAND HOLE AT 18" FROM SHAFT BOTTOM.
- BASE PLATE:** FABRICATED FROM STRUCTURAL QUALITY HOT ROLLED STEEL BASE TELESCOPES AND IS CIRCUMFERENTIALLY WELDED TO SHAFT.
- DECORATIVE BASE:** TWO PIECE WRAPAROUND, CORROSION RESISTANT, DURABLE CAST ALUMINUM CONSTRUCTION. MINIMUM .225 WALL THICKNESS. BASE CONSISTS OF A SMOOTH TAPERED BOTTOM SECTION AND A DECORATIVE TAPERED FLUTED SECTION WITH EVENLY SPACED RAISED VERTICAL FLUTES. BASE IS FURNISHED WITH A CONTOURED, FLUTED FLUSH HAND HOLE AND COVER. HAND HOLE COVER SUPPLIED WITH TAMPER RESISTANT HARDWARE. (4) 1/4"-20 SET SCREWS PROVIDED TO SECURE DECORATIVE BASE TO SHAFT.
- ANCHORAGE:** (4) 1 1/4"X48" FULLY GALVANIZED ANCHOR BOLTS. EACH BOLT SUPPLIED WITH TWO NUTS AND TWO WASHERS.
- FINISH:** ELECTROSTATICALLY APPLIED BAKED ON TEXTURED ACRYLIC ENAMEL-HIGH GLOSS (COLOR: BLACK)
- NOTES:**
 1. LIGHT POLE ASSEMBLY SHALL BE SUN VALLEY DETAIL NO. CS-4105 REV. 5, OR APPROVED EQUAL.
 2. HAND HOLE COVER TO READ "VILLAGE OF SHOREWOOD".
 3. VIBRATION DAMPNER PROVIDED INSIDE OF POLE.
 4. POLE ASSEMBLY RATED FOR 90 M.P.H. SUSTAINED WIND LOADS PLUS 1.3 WIND GUST.
 5. BREAK AWAY BANNER ARMS PROVIDED AS REQUIRED.
 6. DUPLEX REC. PROVIDED AS REQUIRED.
 7. FIXTURE HEAD SHALL BE GE LIGHTING SYSTEMS *MDCA**OA21FMC31-SPECIAL BLACK, WHERE ** = WATTAGE



VILLAGE OF SHOREWOOD
STANDARD DETAIL
FOR
ROADWAY TYPE LIGHT POLE

DATE: APRIL 2009



SPECIFICATIONS:

LUMINAIRE: HOUSING AND DOOR FRAME-HEAVY WALL CAST ALUMINUM CONSTRUCTION WITH REMOVABLE BALLAST TRAY FOR EASY BALLAST ACCESS. REFLECTOR-HEAVY WALL ALUMINUM CONSTRUCTION.

OPTICS: CLEAR PATTERNED ACRYLIC REFRACTOR, TYPE V (SYMMETRIC) OR TYPE III (ASYMMETRIC) LIGHT DISTRIBUTION.

LAMP HOLDER: MOGUL BASE, PORCELAIN.

LAMP: 150 W. H.P.S. (BY OTHERS)

BALLAST: H.P.F./C.W.A. AUTOTRANSFORMER, -20³/₄ STARTING TEMPERATURE. (MULTI-TAP VOLTAGE.)

ARMS: STEEL CONSTRUCTION, 2.375 O.D. (.154 WALL THICK.)

SHAFT: 16 FLUTE TAPERED STEEL SHAFT (.188 WALL THICK.) HAS 9" BUTT TAPERING TO 4.6" TOP. MINIMUM YIELD STRENGTH 55,000 P.S.I. HAND HOLE IS PROVIDED WITH COVER. SHAFT PROVIDED WITH 2.5"X5" HAND HOLE AT 18" FROM SHAFT BOTTOM.

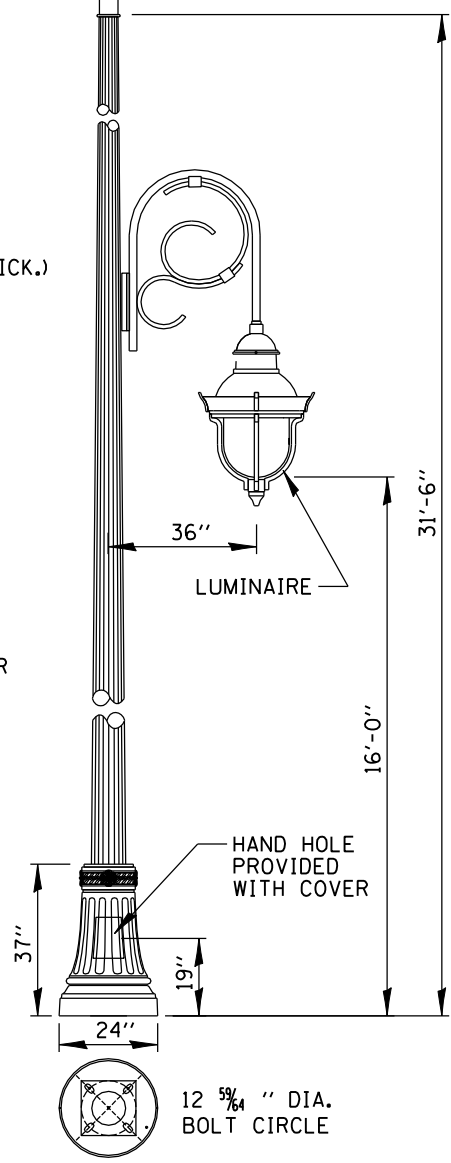
BASE PLATE: FABRICATED FROM STRUCTURAL QUALITY HOT ROLLED STEEL BASE TELESCOPES AND IS CIRCUMFERENTIALLY WELDED TO SHAFT.

DECORATIVE BASE: TWO PIECE WRAPAROUND, CORROSION RESISTANT, DURABLE CAST ALUMINUM CONSTRUCTION. MINIMUM .225 WALL THICKNESS. BASE CONSISTS OF A SMOOTH TAPERED BOTTOM SECTION AND A DECORATIVE TAPERED FLUTED SECTION WITH EVENLY SPACED RAISED VERTICAL FLUTES. BASE IS FURNISHED WITH A CONTOURED, FLUTED FLUSH HAND HOLE AND COVER. HAND HOLE COVER SUPPLIED WITH TAMPER RESISTANT HARDWARE. (4) 1/4"-20 SET SCREWS PROVIDED TO SECURE DECORATIVE BASE TO SHAFT.

ANCHORAGE: (4) 1 1/4"X48" FULLY GALVANIZED ANCHOR BOLTS. EACH BOLT SUPPLIED WITH TWO NUTS AND TWO WASHERS.

FINISH: ELECTROSTATICALLY APPLIED BAKED ON TEXTURED ACRYLIC ENAMEL-HIGH GLOSS (COLOR: BLACK)

- NOTES:**
1. LIGHT POLE ASSEMBLY TO BE SUN VALLEY DETAIL NO. CS-4100 REV. 5, OR APPROVED EQUAL.
 2. HAND HOLE COVER TO READ "VILLAGE OF SHOREWOOD".
 3. VIBRATION DAMPNER PROVIDED INSIDE OF POLE.
 4. POLE ASSEMBLY RATED FOR 90 M.P.H. SUSTAINED WIND LOADS PLUS 1.3 WIND GUST.
 5. BREAK AWAY BANNER ARMS PROVIDED AS REQUIRED.
 6. DUPLEX REC. PROVIDED AS REQUIRED.
 7. FIXTURE HEAD SHALL BE GE LIGHTING SYSTEMS *MDCA**OA21FMC31-SPECIAL BLACK, WHERE ** = WATTAGE



(POLE CROSS SECTION)
16 FLUTES

VILLAGE OF SHOREWOOD
STANDARD DETAIL
FOR
ROADWAY TYPE LIGHT POLE
WITH PEDESTRIAN FIXTURE

DATE: APRIL 2009